

NUD3124, SZNUD3124

Automotive Inductive Load Driver

This micro-integrated part provides a single component solution to switch inductive loads such as relays, solenoids, and small DC motors without the need of a free-wheeling diode. It accepts logic level inputs, thus allowing it to be driven by a large variety of devices including logic gates, inverters, and microcontrollers.

Features

- Provides Robust Interface between D.C. Relay Coils and Sensitive Logic
- Capable of Driving Relay Coils Rated up to 150 mA at 12 Volts
- Replaces 3 or 4 Discrete Components for Lower Cost
- Internal Zener Eliminates Need for Free-Wheeling Diode
- Meets Load Dump and other Automotive Specs
- SZ Prefix for Automotive and Other Applications Requiring Unique Site and Control Change Requirements; AEC-Q101 Qualified and PPAP Capable
- These are Pb-Free Devices

Typical Applications

- Automotive and Industrial Environment
- Drives Window, Latch, Door, and Antenna Relays

Benefits

- Reduced PCB Space
- Standardized Driver for Wide Range of Relays
- Simplifies Circuit Design and PCB Layout
- Compliance with Automotive Specifications



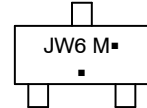
ON Semiconductor®

www.onsemi.com

MARKING DIAGRAMS



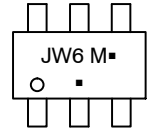
**SOT-23
CASE 318
STYLE 21**



JW6 = Specific Device Code
M = Date Code
▪ = Pb-Free Package
(Note: Microdot may be in either location)



**SC-74
CASE 318F
STYLE 7**



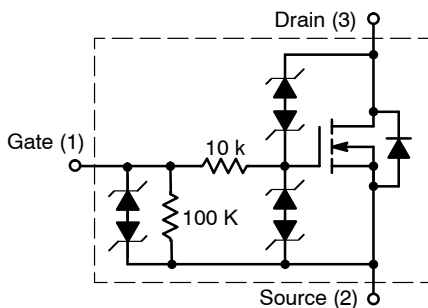
JW6 = Specific Device Code
M = Date Code
▪ = Pb-Free Package
(Note: Microdot may be in either location)

ORDERING INFORMATION

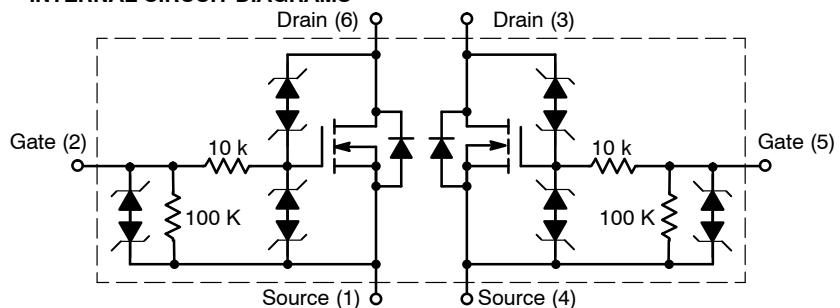
Device	Package	Shipping†
NUD3124LT1G	SOT-23 (Pb-Free)	3000 / Tape & Reel
SZNUD3124LT1G	SOT-23 (Pb-Free)	3000 / Tape & Reel
NUD3124DMT1G	SC-74 (Pb-Free)	3000 / Tape & Reel
SZNUD3124DMT1G	SC-74 (Pb-Free)	3000 / Tape & Reel

†For information on tape and reel specifications, including part orientation and tape sizes, please refer to our Tape and Reel Packaging Specification Brochure, BRD8011/D.

INTERNAL CIRCUIT DIAGRAMS



CASE 318



CASE 318F

NUD3124, SZNUD3124

MAXIMUM RATINGS (T_J = 25°C unless otherwise specified)

Symbol	Rating	Value	Unit
V _{DSS}	Drain-to-Source Voltage – Continuous (T _J = 125°C)	28	V
V _{GSS}	Gate-to-Source Voltage – Continuous (T _J = 125°C)	12	V
I _D	Drain Current – Continuous (T _J = 125°C)	150	mA
E _Z	Single Pulse Drain-to-Source Avalanche Energy (For Relay's Coils/Inductive Loads of 80 Ω or Higher) (T _J Initial = 85°C)	250	mJ
P _{PK}	Peak Power Dissipation, Drain-to-Source (Notes 1 and 2) (T _J Initial = 85°C)	20	W
E _{LD1}	Load Dump Suppressed Pulse, Drain-to-Source (Notes 3 and 4) (Suppressed Waveform: V _s = 45 V, R _{SOURCE} = 0.5 Ω, T = 200 ms) (For Relay's Coils/Inductive Loads of 80 Ω or Higher) (T _J Initial = 85°C)	80	V
E _{LD2}	Inductive Switching Transient 1, Drain-to-Source (Waveform: R _{SOURCE} = 10 Ω, T = 2.0 ms) (For Relay's Coils/Inductive Loads of 80 Ω or Higher) (T _J Initial = 85°C)	100	V
E _{LD3}	Inductive Switching Transient 2, Drain-to-Source (Waveform: R _{SOURCE} = 4.0 Ω, T = 50 μs) (For Relay's Coils/Inductive Loads of 80 Ω or Higher) (T _J Initial = 85°C)	300	V
Rev-Bat	Reverse Battery, 10 Minutes (Drain-to-Source) (For Relay's Coils/Inductive Loads of 80 Ω or more)	-14	V
Dual-Volt	Dual Voltage Jump Start, 10 Minutes (Drain-to-Source)	28	V
ESD	Human Body Model (HBM) According to EIA/JESD22/A114 Specification	2,000	V

Stresses exceeding those listed in the Maximum Ratings table may damage the device. If any of these limits are exceeded, device functionality should not be assumed, damage may occur and reliability may be affected.

1. Nonrepetitive current square pulse 1.0 ms duration.
2. For different square pulse durations, see Figure 2.
3. Nonrepetitive load dump suppressed pulse per Figure 3.
4. For relay's coils/inductive loads higher than 80 Ω, see Figure 4.

NUD3124, SZNUD3124

THERMAL CHARACTERISTICS

Symbol	Rating	Value	Unit	
T_A	Operating Ambient Temperature	-40 to 125	°C	
T_J	Maximum Junction Temperature	150	°C	
T_{STG}	Storage Temperature Range	-65 to 150	°C	
P_D	Total Power Dissipation (Note 5) Derating above 25°C	SOT-23	225	mW
			1.8	mW/°C
P_D	Total Power Dissipation (Note 5) Derating above 25°C	SC-74	380	mW
			3.0	mW/°C
$R_{\theta JA}$	Thermal Resistance Junction-to-Ambient (Note 5)	SOT-23	556	°C/W
		SC-74	329	

5. Mounted onto minimum pad board.

NUD3124, SZNUD3124

ELECTRICAL CHARACTERISTICS (T_J = 25°C unless otherwise specified)

Characteristic	Symbol	Min	Typ	Max	Unit
OFF CHARACTERISTICS					
Drain to Source Sustaining Voltage (I _D = 10 mA)	V _{BRDSS}	28	34	38	V
Drain to Source Leakage Current (V _{DS} = 12 V, V _{GS} = 0 V) (V _{DS} = 12 V, V _{GS} = 0 V, T _J = 125°C) (V _{DS} = 28 V, V _{GS} = 0 V) (V _{DS} = 28 V, V _{GS} = 0 V, T _J = 125°C)	I _{DSS}	–	–	0.5 1.0 50 80	μA
Gate Body Leakage Current (V _{GS} = 3.0 V, V _{DS} = 0 V) (V _{GS} = 3.0 V, V _{DS} = 0 V, T _J = 125°C) (V _{GS} = 5.0 V, V _{DS} = 0 V) (V _{GS} = 5.0 V, V _{DS} = 0 V, T _J = 125°C)	I _{GSS}	–	–	60 80 90 110	μA
ON CHARACTERISTICS					
Gate Threshold Voltage (V _{GS} = V _{DS} , I _D = 1.0 mA) (V _{GS} = V _{DS} , I _D = 1.0 mA, T _J = 125°C)	V _{GS(th)}	1.3 1.3	1.8 –	2.0 2.0	V
Drain to Source On-Resistance (I _D = 150 mA, V _{GS} = 3.0 V) (I _D = 150 mA, V _{GS} = 3.0 V, T _J = 125°C) (I _D = 150 mA, V _{GS} = 5.0 V) (I _D = 150 mA, V _{GS} = 5.0 V, T _J = 125°C)	R _{DS(on)}	–	–	1.4 1.7 0.8 1.1	Ω
Output Continuous Current (V _{DS} = 0.25 V, V _{GS} = 3.0 V) (V _{DS} = 0.25 V, V _{GS} = 3.0 V, T _J = 125°C)	I _{DS(on)}	150 140	200 –	– –	mA
Forward Transconductance (V _{DS} = 12 V, I _D = 150 mA)	g _{FS}	–	500	–	mmho
DYNAMIC CHARACTERISTICS					
Input Capacitance (V _{DS} = 12 V, V _{GS} = 0 V, f = 10 kHz)	C _{iss}	–	32	–	pf
Output Capacitance (V _{DS} = 12 V, V _{GS} = 0 V, f = 10 kHz)	C _{oss}	–	21	–	pf
Transfer Capacitance (V _{DS} = 12 V, V _{GS} = 0 V, f = 10 kHz)	C _{rss}	–	8.0	–	pf
SWITCHING CHARACTERISTICS					
Propagation Delay Times: High to Low Propagation Delay; Figure 1, (V _{DS} = 12 V, V _{GS} = 3.0 V) Low to High Propagation Delay; Figure 1, (V _{DS} = 12 V, V _{GS} = 3.0 V) High to Low Propagation Delay; Figure 1, (V _{DS} = 12 V, V _{GS} = 5.0 V) Low to High Propagation Delay; Figure 1, (V _{DS} = 12 V, V _{GS} = 5.0 V)	t _{PHL} t _{PLH} t _{PHL} t _{PLH}	– – – –	890 912 324 1280	– – – –	ns
Transition Times: Fall Time; Figure 1, (V _{DS} = 12 V, V _{GS} = 3.0 V) Rise Time; Figure 1, (V _{DS} = 12 V, V _{GS} = 3.0 V) Fall Time; Figure 1, (V _{DS} = 12 V, V _{GS} = 5.0 V) Rise Time; Figure 1, (V _{DS} = 12 V, V _{GS} = 5.0 V)	t _f t _r t _f t _r	– – – –	2086 708 556 725	– – – –	ns

Product parametric performance is indicated in the Electrical Characteristics for the listed test conditions, unless otherwise noted. Product performance may not be indicated by the Electrical Characteristics if operated under different conditions.

NUD3124, SZNUD3124

TYPICAL PERFORMANCE CURVES

($T_J = 25^\circ\text{C}$ unless otherwise noted)

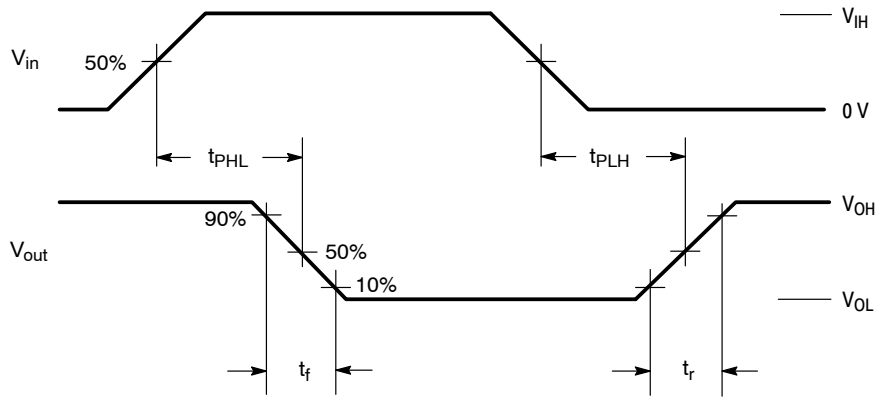


Figure 1. Switching Waveforms

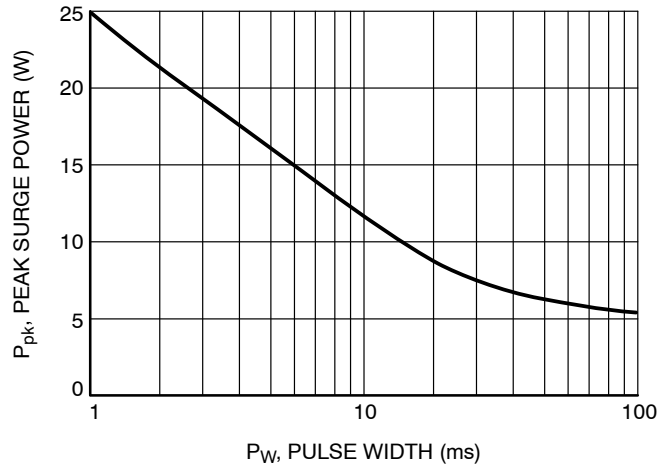


Figure 2. Maximum Non-repetitive Surge Power versus Pulse Width

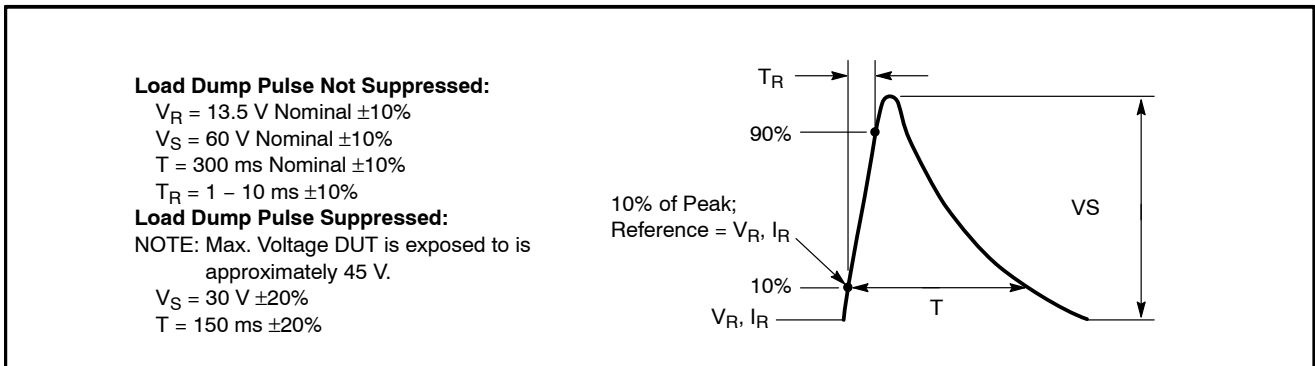


Figure 3. Load Dump Waveform Definition

NUD3124, SZNUD3124

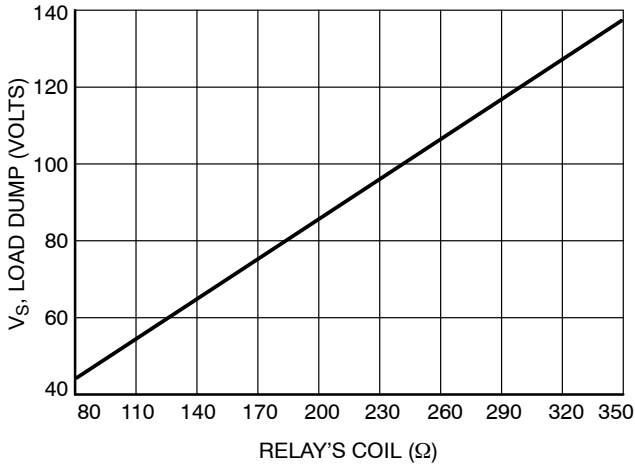


Figure 4. Load Dump Capability versus Relay's Coil dc Resistance

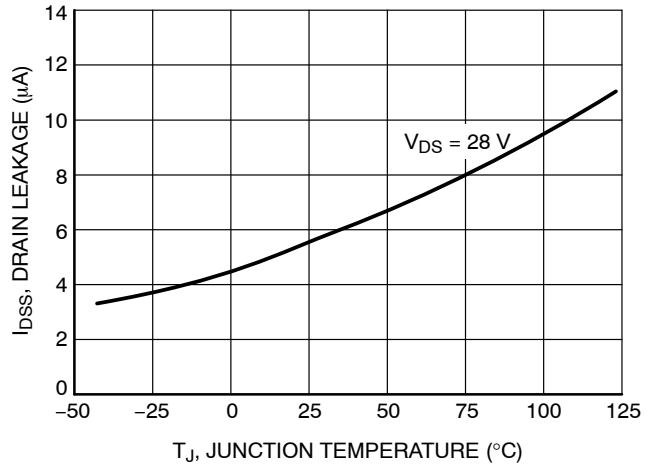


Figure 5. Drain-to-Source Leakage versus Junction Temperature

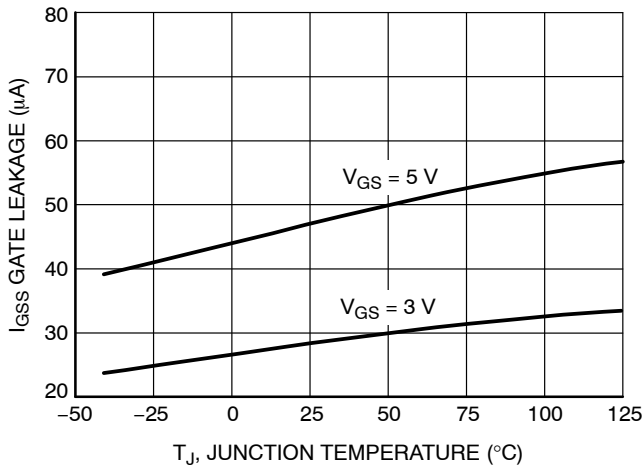


Figure 6. Gate-to-Source Leakage versus Junction Temperature

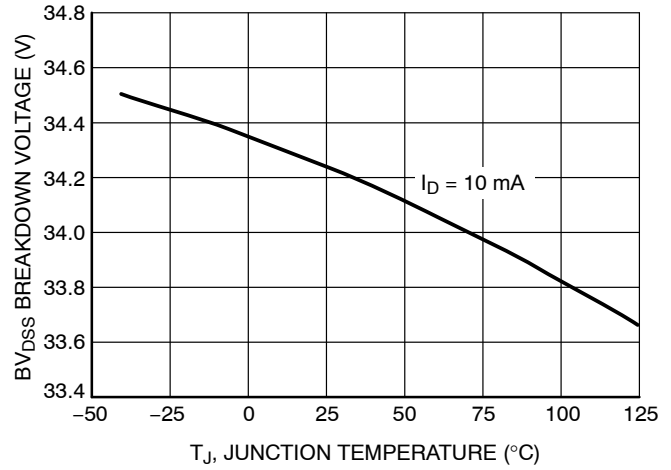


Figure 7. Breakdown Voltage versus Junction Temperature

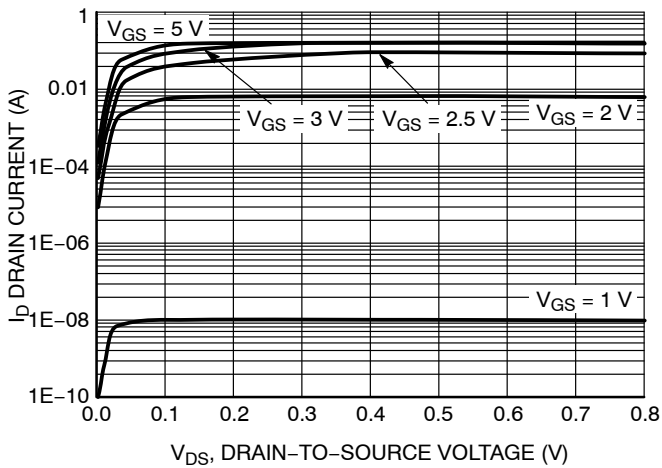


Figure 8. Output Characteristics

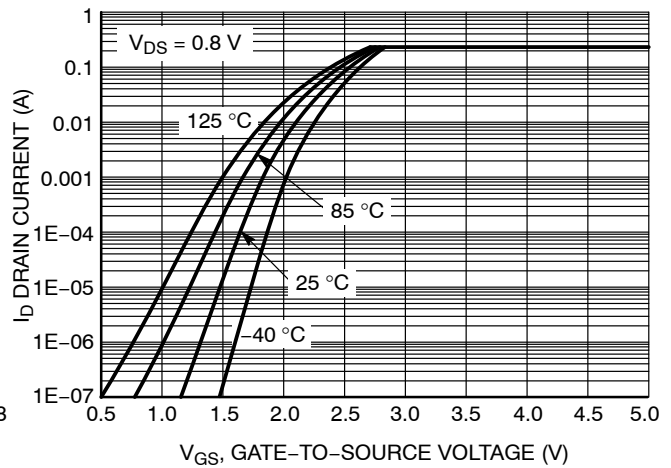


Figure 9. Transfer Function

NUD3124, SZNUD3124

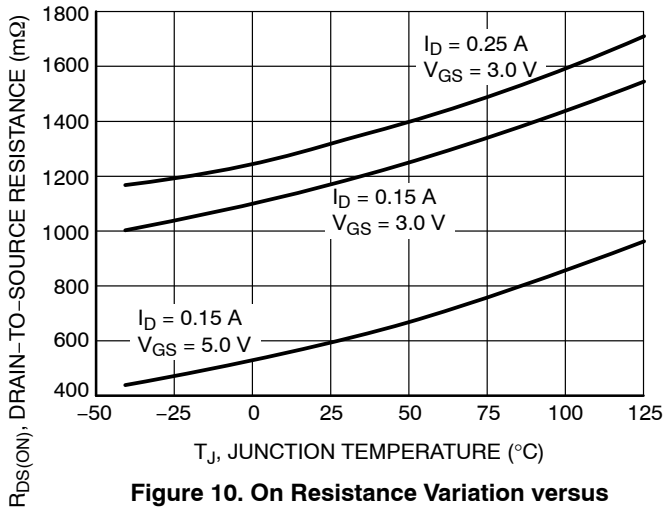


Figure 10. On Resistance Variation versus Junction Temperature

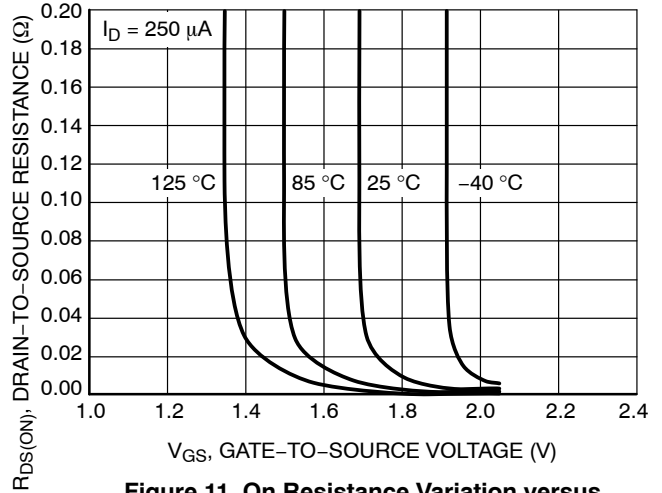


Figure 11. On Resistance Variation versus Gate-to-Source Voltage

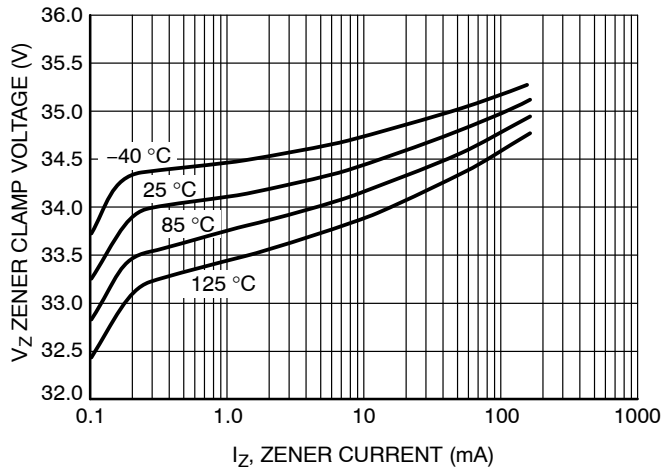


Figure 12. Zener Clamp Voltage versus Zener Current

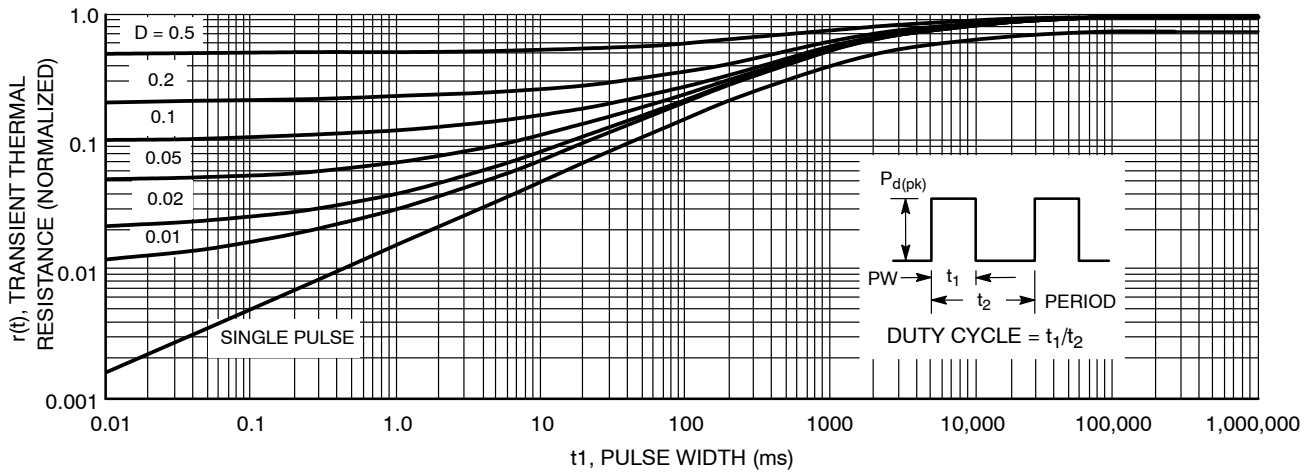


Figure 13. Transient Thermal Response for NUD3124LT1G

NUD3124, SZNUD3124

APPLICATIONS INFORMATION

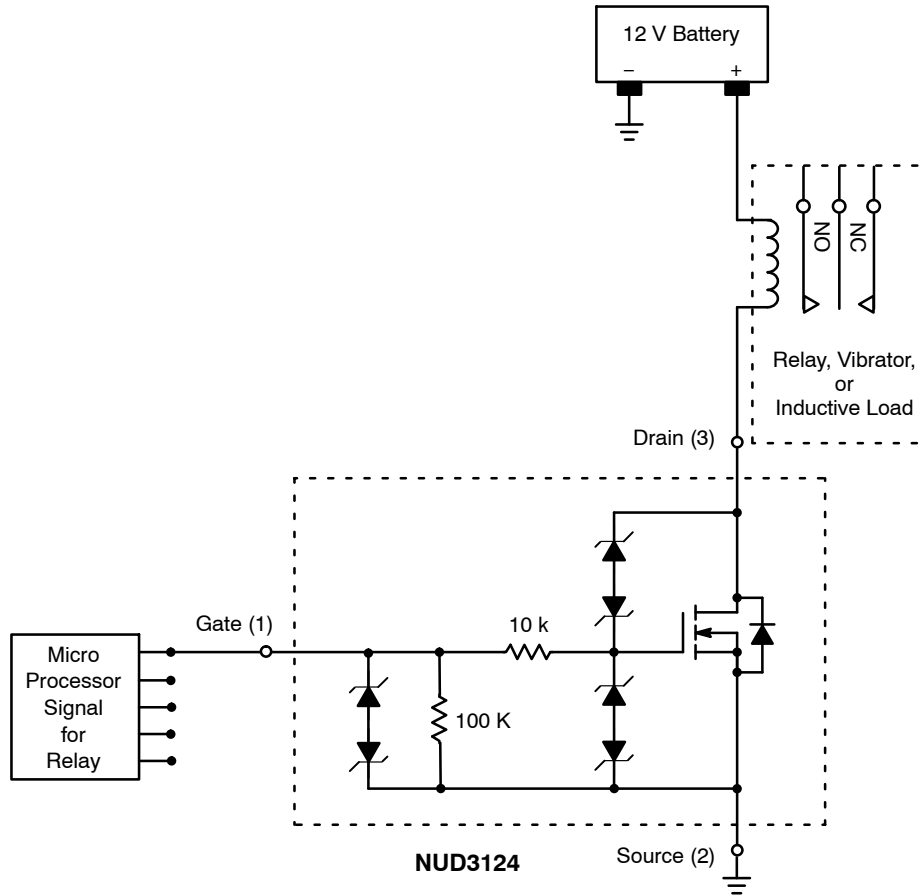
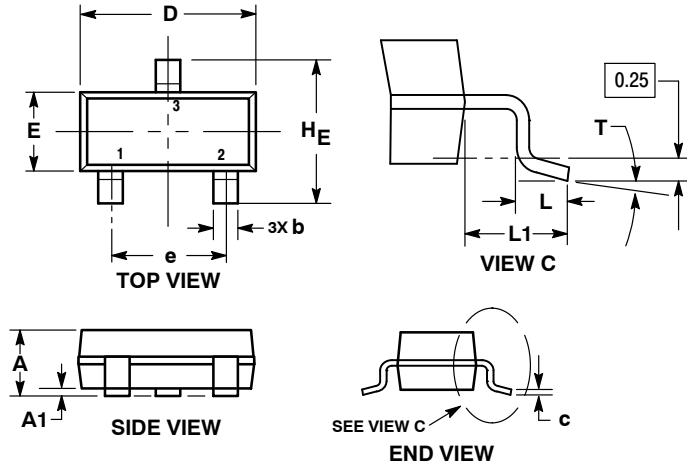


Figure 14. Applications Diagram

NUD3124, SZNUD3124

PACKAGE DIMENSIONS

SOT-23 (TO-236)
CASE 318-08
ISSUE AR



NOTES:

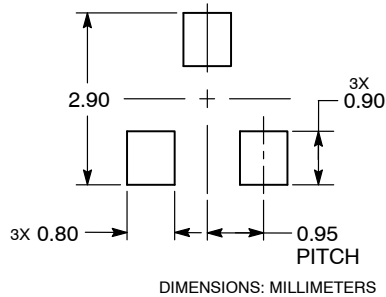
1. DIMENSIONING AND TOLERANCING PER ASME Y14.5M, 1994.
2. CONTROLLING DIMENSION: MILLIMETERS.
3. MAXIMUM LEAD THICKNESS INCLUDES LEAD FINISH. MINIMUM LEAD THICKNESS IS THE MINIMUM THICKNESS OF THE BASE MATERIAL.
4. DIMENSIONS D AND E DO NOT INCLUDE MOLD FLASH, PROTRUSIONS, OR GATE BURRS.

DIM	MILLIMETERS			INCHES		
	MIN	NOM	MAX	MIN	NOM	MAX
A	0.89	1.00	1.11	0.035	0.039	0.044
A1	0.01	0.06	0.10	0.000	0.002	0.004
b	0.37	0.44	0.50	0.015	0.017	0.020
c	0.08	0.14	0.20	0.003	0.006	0.008
D	2.80	2.90	3.04	0.110	0.114	0.120
E	1.20	1.30	1.40	0.047	0.051	0.055
e	1.78	1.90	2.04	0.070	0.075	0.080
L	0.30	0.43	0.55	0.012	0.017	0.022
L1	0.35	0.54	0.69	0.014	0.021	0.027
HE	2.10	2.40	2.64	0.083	0.094	0.104
T	0°	---	10°	0°	---	10°

STYLE 21:

- PIN 1. GATE
- SOURCE
- DRAIN

RECOMMENDED SOLDERING FOOTPRINT*

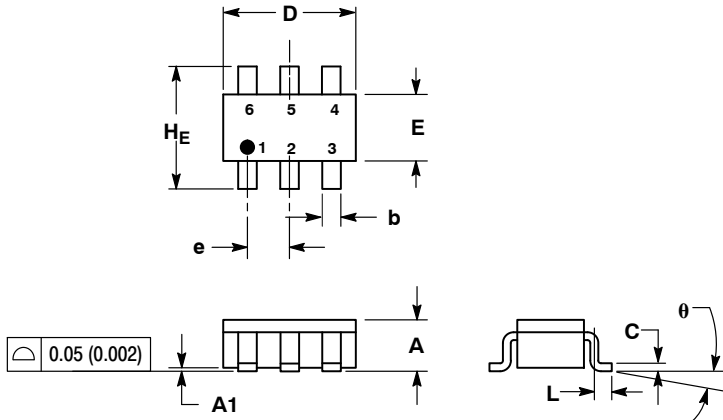


*For additional information on our Pb-Free strategy and soldering details, please download the ON Semiconductor Soldering and Mounting Techniques Reference Manual, SOLDERRM/D.

NUD3124, SZNUD3124

PACKAGE DIMENSIONS

SC-74
CASE 318F-05
ISSUE N

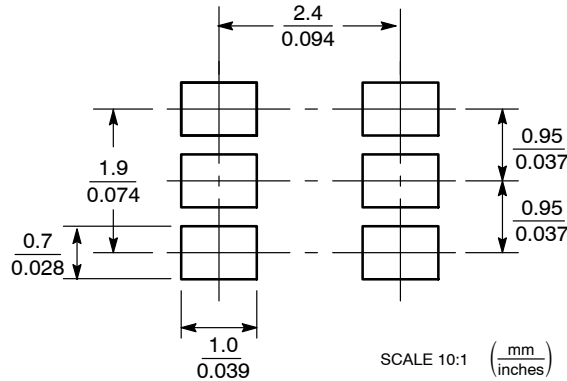


- NOTES:
1. DIMENSIONING AND TOLERANCING PER ANSI Y14.5M, 1982.
 2. CONTROLLING DIMENSION: INCH.
 3. MAXIMUM LEAD THICKNESS INCLUDES LEAD FINISH THICKNESS. MINIMUM LEAD THICKNESS IS THE MINIMUM THICKNESS OF BASE MATERIAL.
 4. 318F-01, -02, -03, -04 OBSOLETE. NEW STANDARD 318F-05.

DIM	MILLIMETERS			INCHES		
	MIN	NOM	MAX	MIN	NOM	MAX
A	0.90	1.00	1.10	0.035	0.039	0.043
A1	0.01	0.06	0.10	0.001	0.002	0.004
b	0.25	0.37	0.50	0.010	0.015	0.020
c	0.10	0.18	0.26	0.004	0.007	0.010
D	2.90	3.00	3.10	0.114	0.118	0.122
E	1.30	1.50	1.70	0.051	0.059	0.067
e	0.85	0.95	1.05	0.034	0.037	0.041
L	0.20	0.40	0.60	0.008	0.016	0.024
HE	2.50	2.75	3.00	0.099	0.108	0.118
θ	0°	-	10°	0°	-	10°

- STYLE 7:
PIN 1. SOURCE 1
2. GATE 1
3. DRAIN 2
4. SOURCE 2
5. GATE 2
6. DRAIN 1

SOLDERING FOOTPRINT*



*For additional information on our Pb-Free strategy and soldering details, please download the ON Semiconductor Soldering and Mounting Techniques Reference Manual, SOLDERRM/D.

ON Semiconductor and are trademarks of Semiconductor Components Industries, LLC dba ON Semiconductor or its subsidiaries in the United States and/or other countries. ON Semiconductor owns the rights to a number of patents, trademarks, copyrights, trade secrets, and other intellectual property. A listing of ON Semiconductor's product/patent coverage may be accessed at www.onsemi.com/site/pdf/Patent-Marking.pdf. ON Semiconductor reserves the right to make changes without further notice to any products herein. ON Semiconductor makes no warranty, representation or guarantee regarding the suitability of its products for any particular purpose, nor does ON Semiconductor assume any liability arising out of the application or use of any product or circuit, and specifically disclaims any and all liability, including without limitation special, consequential or incidental damages. Buyer is responsible for its products and applications using ON Semiconductor products, including compliance with all laws, regulations and safety requirements or standards, regardless of any support or applications information provided by ON Semiconductor. "Typical" parameters which may be provided in ON Semiconductor data sheets and/or specifications can and do vary in different applications and actual performance may vary over time. All operating parameters, including "Typicals" must be validated for each customer application by customer's technical experts. ON Semiconductor does not convey any license under its patent rights nor the rights of others. ON Semiconductor products are not designed, intended, or authorized for use as a critical component in life support systems or any FDA Class 3 medical devices or medical devices with a same or similar classification in a foreign jurisdiction or any devices intended for implantation in the human body. Should Buyer purchase or use ON Semiconductor products for any such unintended or unauthorized application, Buyer shall indemnify and hold ON Semiconductor and its officers, employees, subsidiaries, affiliates, and distributors harmless against all claims, costs, damages, and expenses, and reasonable attorney fees arising out of, directly or indirectly, any claim of personal injury or death associated with such unintended or unauthorized use, even if such claim alleges that ON Semiconductor was negligent regarding the design or manufacture of the part. ON Semiconductor is an Equal Opportunity/Affirmative Action Employer. This literature is subject to all applicable copyright laws and is not for resale in any manner.

PUBLICATION ORDERING INFORMATION

LITERATURE FULFILLMENT:
Literature Distribution Center for ON Semiconductor
19521 E. 32nd Pkwy, Aurora, Colorado 80011 USA
Phone: 303-675-2175 or 800-344-3860 Toll Free USA/Canada
Fax: 303-675-2176 or 800-344-3867 Toll Free USA/Canada
Email: orderlit@onsemi.com

N. American Technical Support: 800-282-9855 Toll Free
USA/Canada
Europe, Middle East and Africa Technical Support:
Phone: 421 33 790 2910
Japan Customer Focus Center
Phone: 81-3-5817-1050

ON Semiconductor Website: www.onsemi.com
Order Literature: <http://www.onsemi.com/orderlit>
For additional information, please contact your local Sales Representative